

BAN012SX

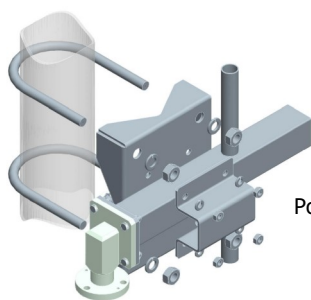
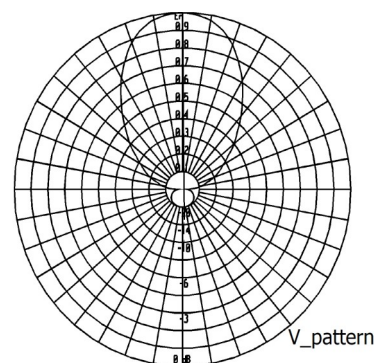
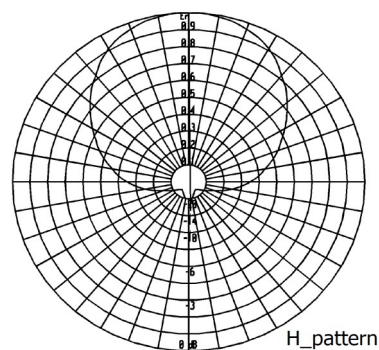
Four Elements Yagi Antenna

70 ÷ 80 MHz

Type	BAN012SX
ELECTRICAL	
Frequency	70 ÷ 80 MHz
Impedance	50 Ω Unbalanced
V.S.W.R. (R.L.)	< 1.50 (1.40 dB)
Gain	7.5 dBi
HPBW H-pattern	± 56°
HPBW V-pattern	± 31°
Front to Back	> 20 dB
Polarization	Horizontal or Vertical
Max Power	See Below Table
Input Connector	N (f), 7-16 (f) din
Lightning Protection	DC Grounded
MECHANICAL	
Connector Material	Nickel Plated Brass
External Parts Material	Passivated Stainless Steel
Internal Lines Material	Polished Brass
Insulators Material	Virgin PTFE
Brackets and Hardware Material	Stainless Steel
Pressurization	Yes
Survival Wind Velocity	180 km/h
Wind load at 160 km/h Frontal	184 N
Wind load at 160 km/h Lateral	333 N
Dimensions	207 x 185 x 13 cm
Weight (incl. Brackets)	13.5 kg
Mounting System	See Below



RADIATION PATTERN



Pole Mount Ø 60÷114 mm

Ordering Information

p/n	Input Connector	Max Power
BAN012SX.00	N (f)	100W
BAN012SX.01	7-16 (f) din	300W