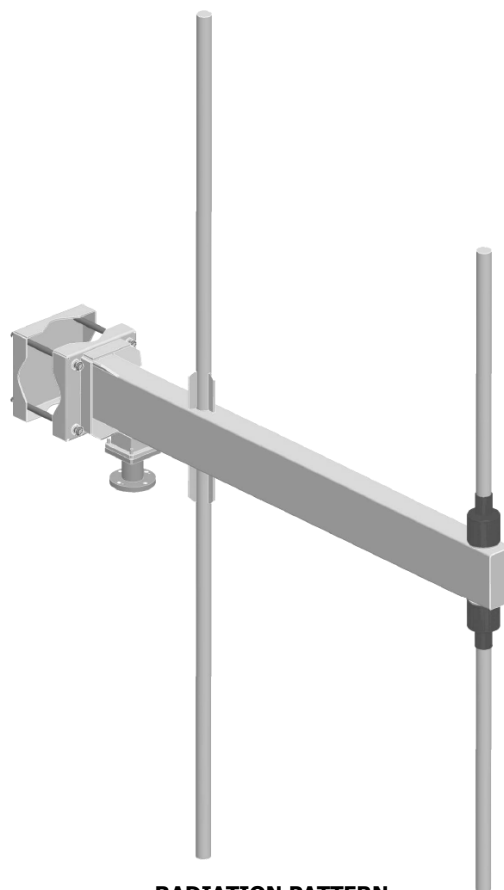


BAN0235AH1

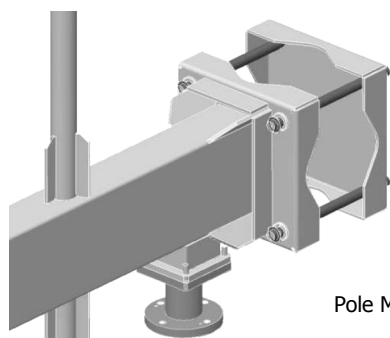
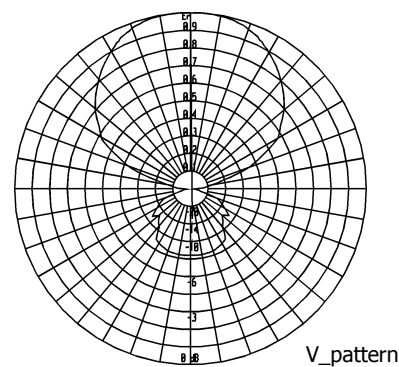
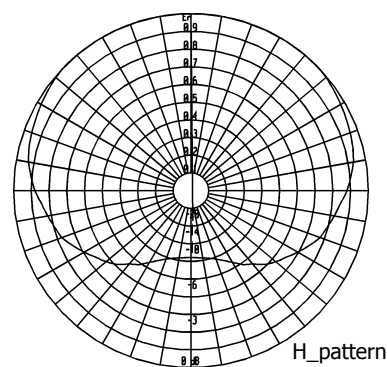
FM Two Element High Power Yagi

87.5÷108 MHz

Type	BAN0235AH1
ELECTRICAL	
Frequency	87.5÷108 MHz
Impedance	50 Ω unbalanced
V.S.W.R. (R.L)	< 1.35 (-17.7 dB)
Gain	3.7 dBd
HPBW H-pattern	± 81°
HPBW V-pattern	± 35°
Polarization	Vertical
Max power	See Below Table
Input connector (Elbow)	7/8" EIA , 1 5/8" EIA
Lightning Protection	DC grounded
MECHANICAL	
Connector material	Nickel plated Brass
External parts material	Passivated Stainless Steel
Internal lines material	Silver plated Aluminum
Insulators material	Virgin PTFE
Brackets and Hardware material	Stainless Steel
Pressurization	yes
Survival wind velocity	240 km/h
Wind load at 160 km/h Frontal	135 N
Wind load at 160 km/h Lateral	290 N
Dimensions	187 x 124 x 20 cm
Weight (incl. Brackets)	25.0 kg
Mounting System	See Below



RADIATION PATTERN



Pole Mount Ø 40÷114 mm

Ordering Information

p/n	Input Connector	Max Power
BAN0235AH1.02	7/8" EIA	5.0 kW
BAN0235AH1.03	1 5/8"	13.0 kW