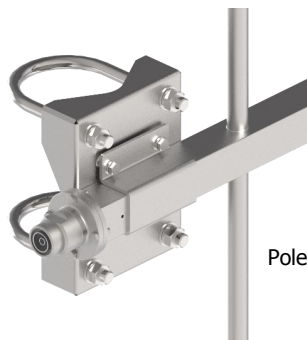


BAN039FX WB

VHF + DAB Six Elements Yagi

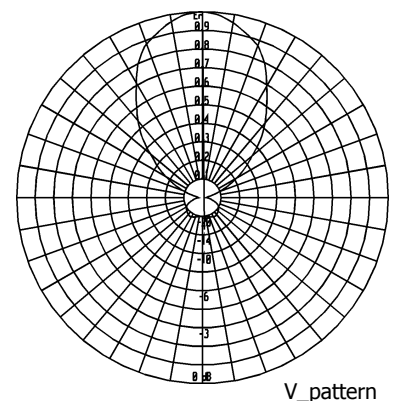
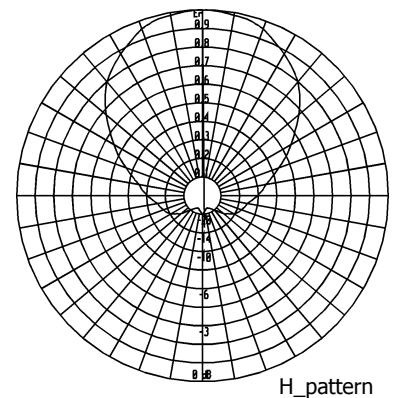
174 ÷ 230 MHz

Type	BAN039FX WB
ELECTRICAL	
Frequency	174 ÷ 230 MHz
Impedance	50 Ω unbalanced
V.S.W.R. (R.L)	< 1.30 (-17.7 dB)
Gain	8.0 dBd
HPBW H-pattern	± 40°
HPBW V-pattern	± 23°
Polarization	Vertical
Max power	See Below Table
Input connector	7/16 (f) din , 7/8" EIA
Lightning Protection	DC grounded
MECHANICAL	
Connector material	Nickel plated Brass
External parts material	Passivated Stainless Steel
Internal lines material	Passivated Aluminum
Insulators material	Virgin PTFE
Brackets and Hardware material	Stainless Steel
Pressurization	yes
Survival wind velocity	220 km/h
Wind load at 160 km/h Frontal	138 N
Wind load at 160 km/h Lateral	210 N
Dimensions	135 x 88 x 5 cm
Weight (incl. Brackets)	4.2 kg
Mounting System	See Below



Pole Mount Ø 60 ÷ 114 mm

RADIATION PATTERN



Ordering Information

p/n	Input Connector	Max Power
BAN039FX WB.01	7/16 (f)	1.5 kW
BAN039FX WB.02	7/8" EIA	2.0 kW