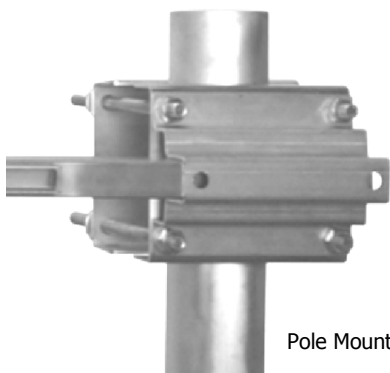
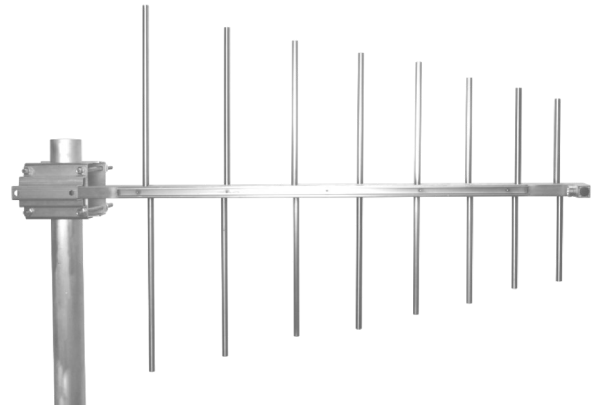


BAN3400

VHF + DAB Eight Elements Log Periodic

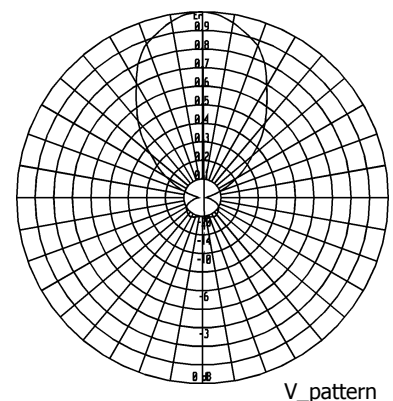
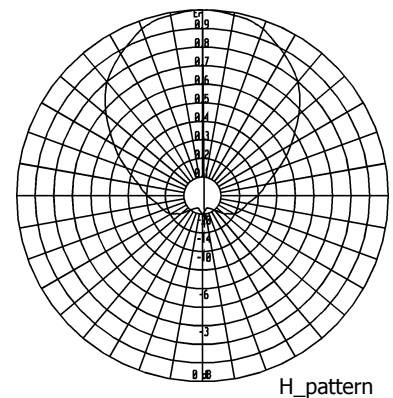
174÷230 MHz

Type		BAN3400
ELECTRICAL		
Frequency	174 ÷ 230 MHz	
Impedance	50 Ω unbalanced	
V.S.W.R. (R.L)	< 1.20 (-20.8 dB)	
Gain	6.5 dBd	
HPBW H-pattern	± 47°	
HPBW V-pattern	± 30°	
Polarization	Vertical	
Max power	See Below Table	
Input connector	n(f) , 7/16 (f) din	
Lightning Protection	DC grounded	
MECHANICAL		
Connector material	Nickel plated Brass	
External parts material	Passivated Stainless Steel	
Internal lines material	Passivated Aluminum	
Insulators material	Virgin PTFE	
Brackets and Hardware material	Stainless Steel	
Pressurization	no	
Survival wind velocity	180 km/h	
Wind load at 160 km/h Frontal	148 N	
Wind load at 160 km/h Lateral	290 N	
Dimensions	142 x 92 x 8 cm	
Weight (incl. Brackets)	11.5 kg	
Mounting System	See Below	



Pole Mount Ø 60÷114 mm

RADIATION PATTERN



p/n	Input Connector	Max Power
BAN3400.00	n(f)	0.8 kW
BAN3400.01	7/16 (f)	1.5 kW