

BAN4400

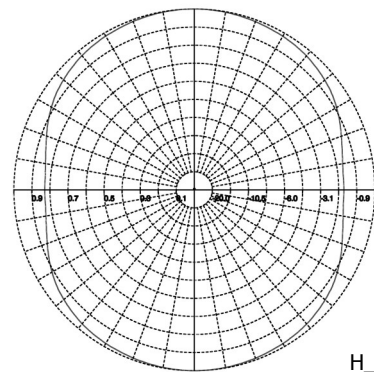
Two Bays Turnstile Omnidirectional

470 ÷ 860 MHz

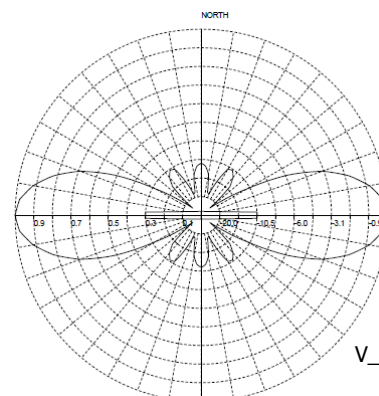
Type	BAN4400
ELECTRICAL	
Frequency	470 ÷ 860 MHz
Impedance	50 Ω unbalanced
V.S.W.R. (R.L)	< 1.12 (-24.9 dB)
Gain	5.5 dBd
HPBW H-pattern	See below
HPBW V-pattern	± 22°
Polarization	Horizontal
Max power	See Below Table
Input connector	7/16 (f) din , 7/8" EIA
Lightning Protection	DC grounded
MECHANICAL	
Connector material	Nickel plated Brass
Radiating Elements material	Passivated Aluminum
Internal lines material	Passivated Aluminum
Insulators material	Virgin PTFE
Brackets material	Hot dip galvanised Steel
Hardware material	Stainless Steel
Pressurization	no
Environment Protection	U.V. resistant A.B.S. Radome
Survival wind velocity	180 km/h
Wind load at 160 km/h	350 N
Dimensions	φ 36 x 150 cm
Weight (incl. Brackets)	24.0 kg
Mounting System	See Below



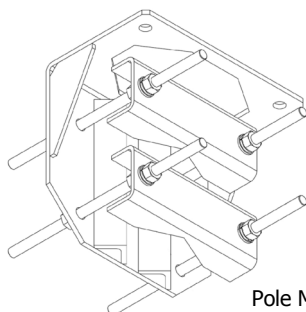
RADIATION PATTERN



H_pattern



V_pattern



Pole Mount Ø 60 ÷ 114 mm

Ordering Information

p/n	Input Connector	Max Power
BAN4400.01	7/16 (f)	1.0 kW
BAN4400.02	7/8" EIA	2.0 kW