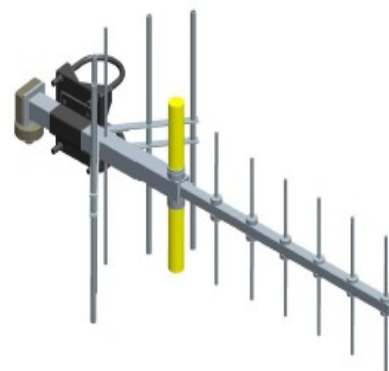


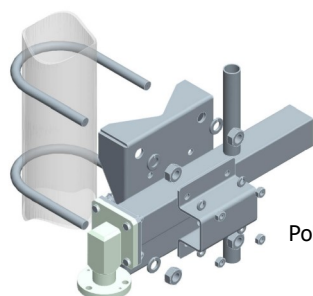
BAN0210A

Eight Elements Yagi Antenna with reflector

435 ÷ 470 MHz

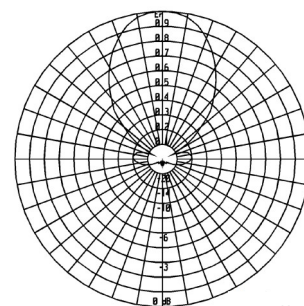


Type	BAN0210A
ELECTRICAL	
Frequency	435 ÷ 450 MHz
Impedance	50 Ω Unbalanced
V.S.W.R. (R.L.)	< 1.30 (17.7 dB)
Gain	10 dBi
Front to back	- 25 dB
HPBW H-pattern	± 32°
HPBW V-pattern	± 24°
Polarization	Horizontal or Vertical
Max Power	See Below Table
Input Connector	N (f), 7-16 (f) din
Lightning Protection	DC Grounded
MECHANICAL	
Connector Material	Nickel Plated Brass
External Parts Material	Passivated Stainless Steel
Internal Lines Material	Polished Brass
Insulators Material	Virgin PTFE
Brackets and Hardware Material	Stainless Steel
Pressurization	Yes
Survival Wind Velocity	200 km/h
Wind load at 160 km/h Frontal	70 N
Wind load at 160 km/h Lateral	180 N
Dimensions	94 x 42 x 31 cm
Weight (incl. Brackets)	5.7 kg
Mounting System	See Below

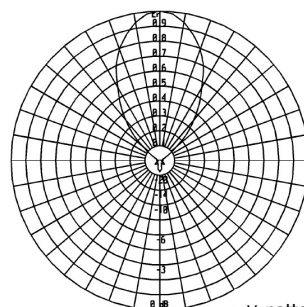


Pole Mount Ø 60÷114 mm

RADIATION PATTERN



H_pattern



V_pattern

Ordering Information

p/n	Input Connector	Max Power
BAN0210A.00	N (f)	100W
BAN0210A.01	7-16 (f) din	300W